

PREBEND LENGTH:
144.5"

SHOP NOTES:

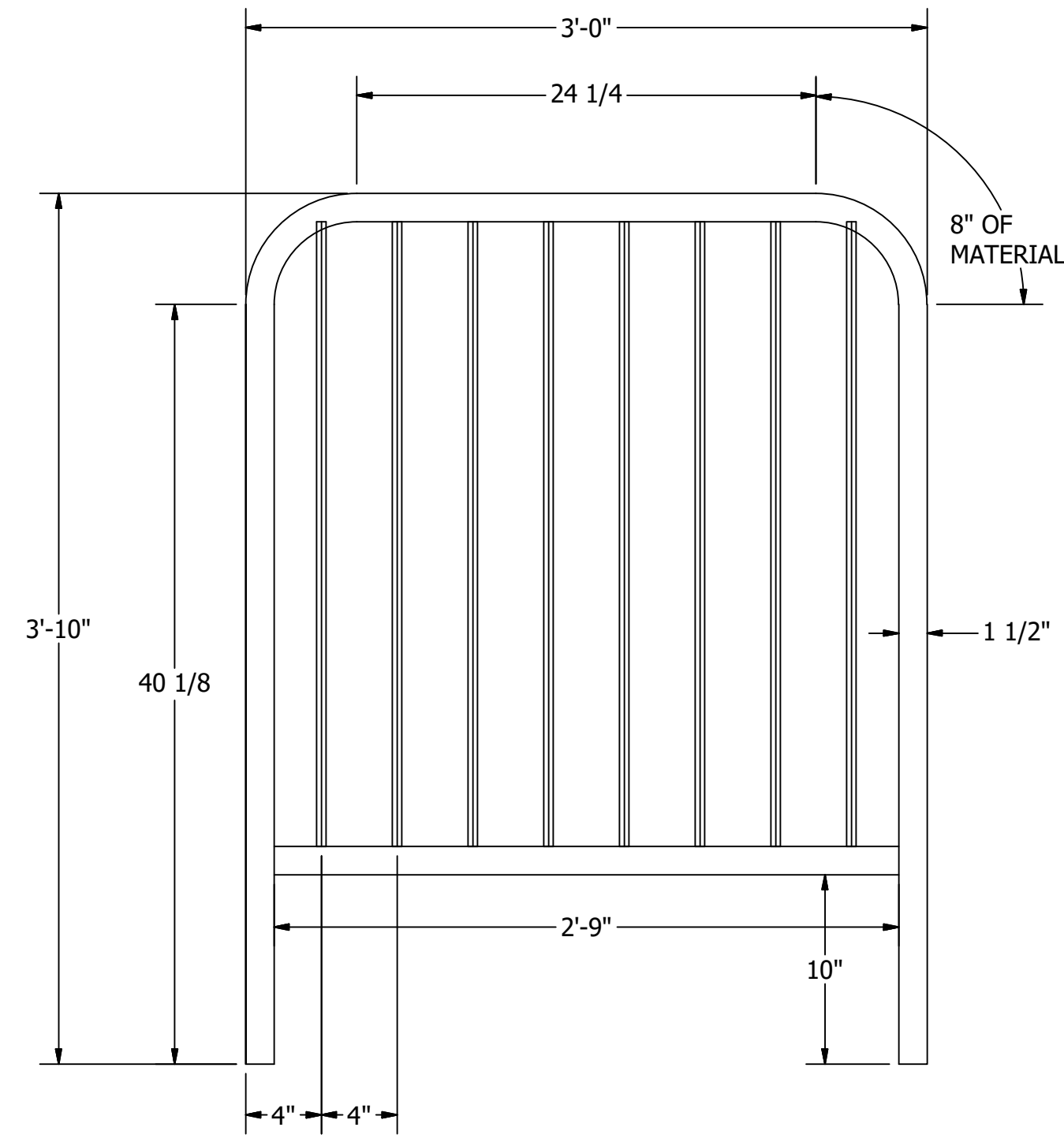
PROJECT SITE:		TOLERANCE:	
LOCATION:		UNLESS OTHERWISE SPECIFIED DIMENSIONS ARE IN INCHES	
CUSTOMER:		TOLERANCE UNLESS NOTED: XX ± 0.03 XXX ± 0.015 XXXX ± 0.010 MAX FILE ALLOWED: 1/16" OF RAISED THROUS	
PROJECT MANAGER:		DRAWN BY:	
DATE:	CHECKED BY:	DATE:	W.O.:
8/1/2017		8/1/2017	
SHEET:	SCALE:	REVISION #:	DWG #:
1 / 2			



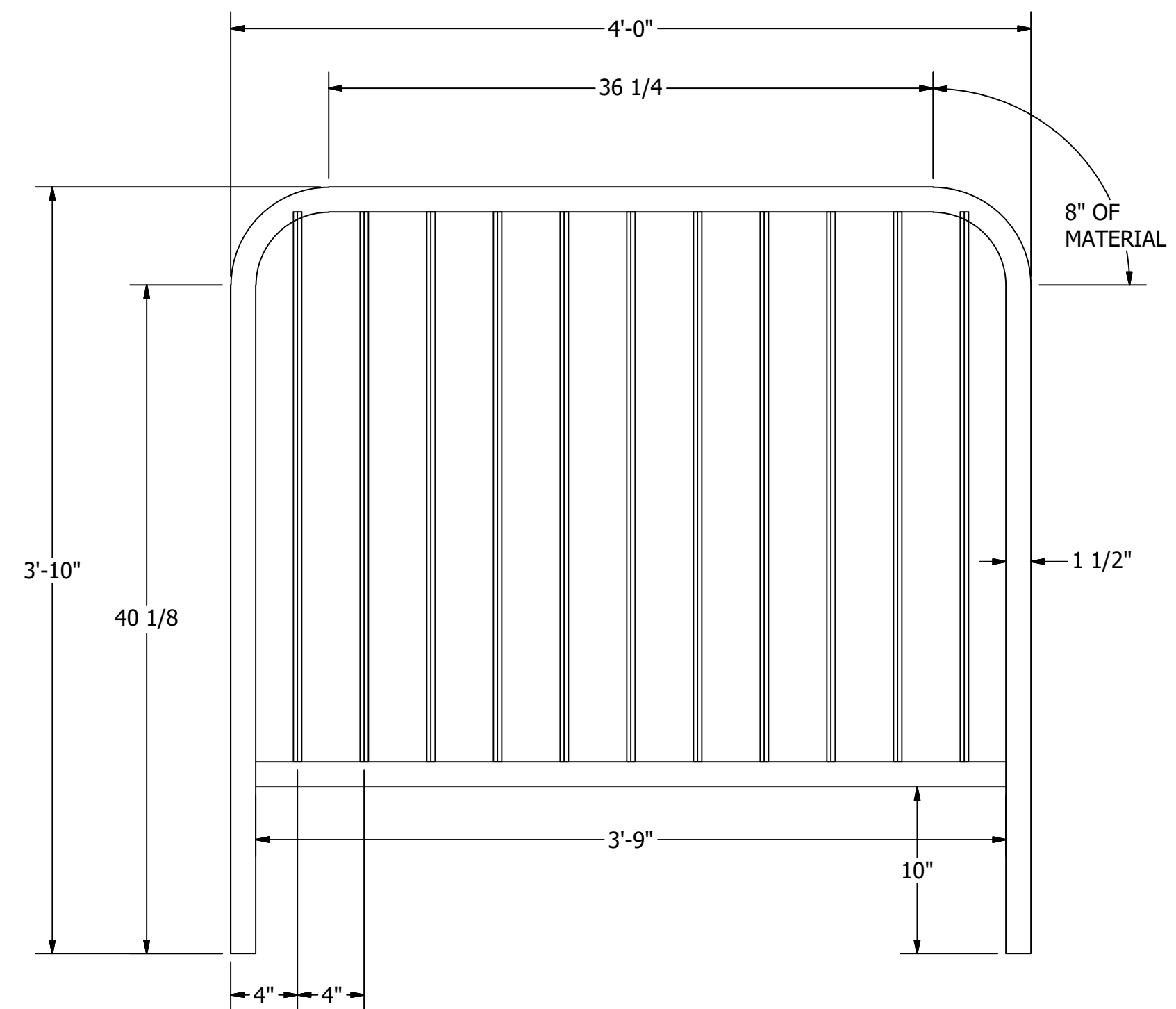
PO BOX 382 MONROVIA, IN 46157
PHONE: 765-528-2251
FAX: 765-528-2251

JAG METAL SOLUTIONS, INC.
We reserve the right to make improvements
without notice. This data should not be assumed
correct. This drawing is for informational
purposes only. It is not intended for
construction. It is not intended for
fabrication. It is not intended for
assembly. It is not intended for
installation. It is not intended for
use in any other manner. All rights reserved.
Metal Solutions Inc. Reproduction of all or
any of this drawing is prohibited. All
dimensions are in inches unless otherwise
noted. All dimensions are to be taken
and proprietary property contained herein
is the property of Metal Solutions Inc. It is forbidden.

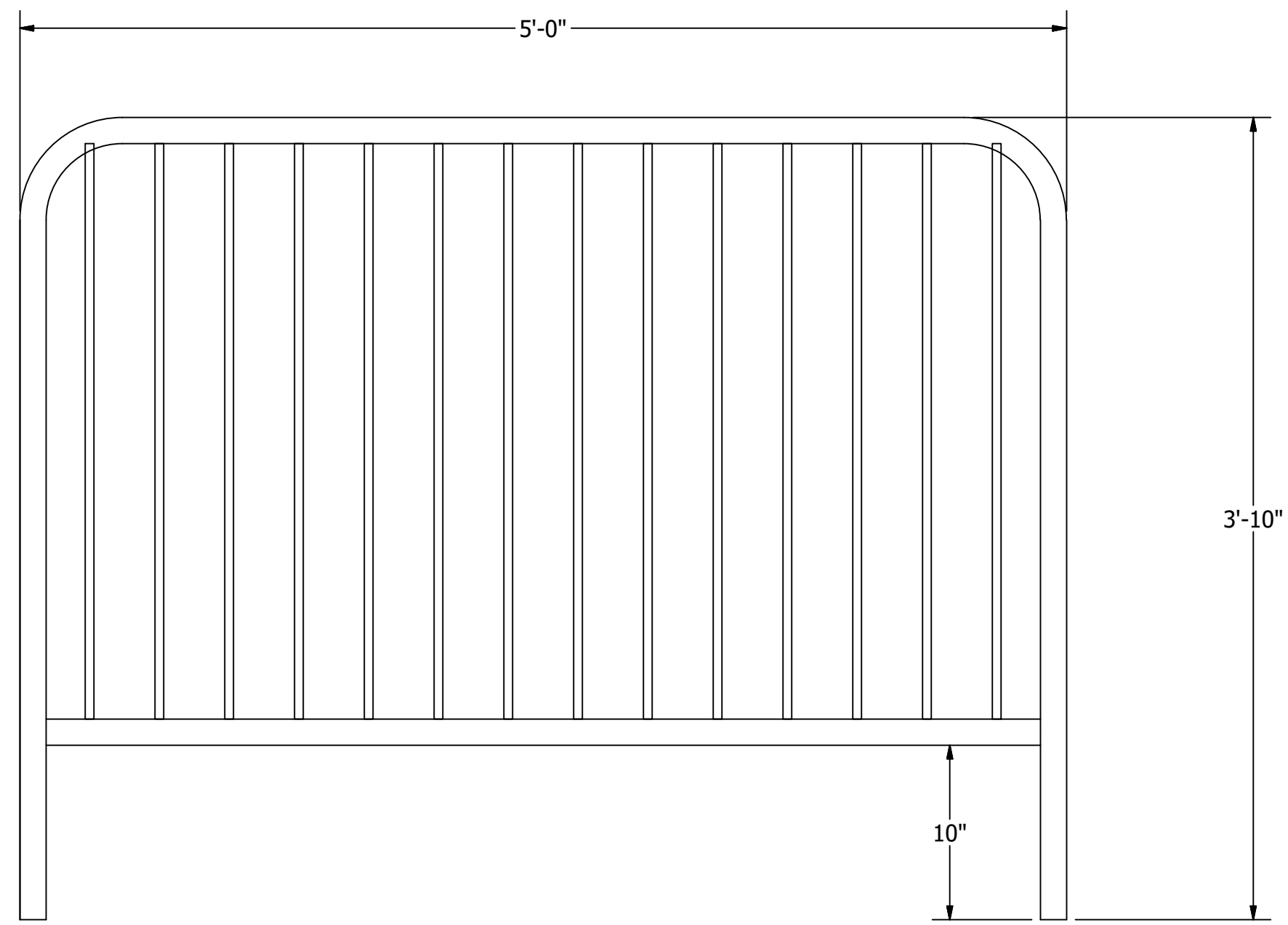
3'-0"
8 PICKETS
120.5" LENGTH



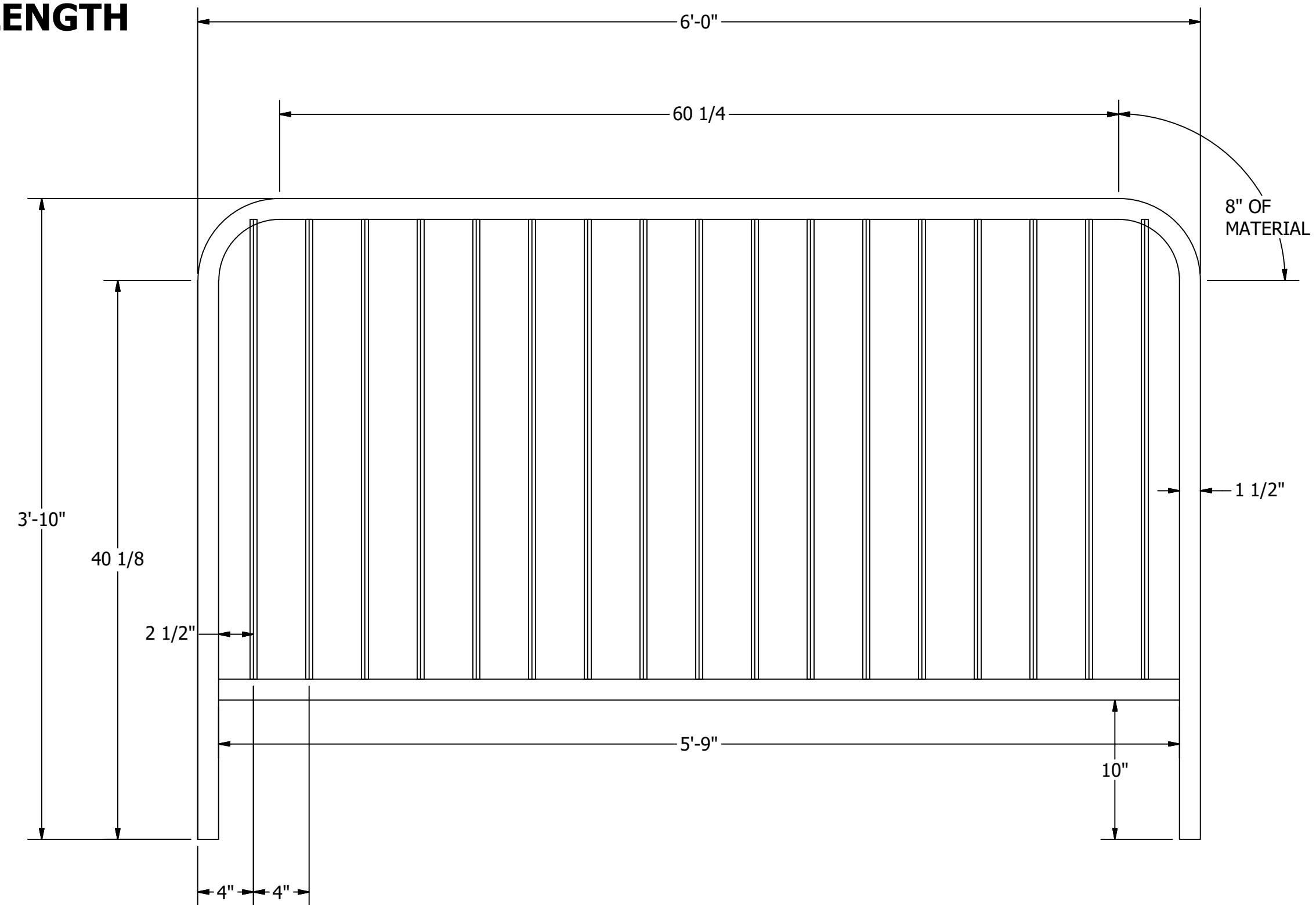
4'-0"
11 PICKETS
132.5" LENGTH



5'-0"
14 PICKETS
144.5" LENGTH



6'-0"
17 PICKETS
156.5" LENGTH



SHOP NOTES:

PROJECT SITE:

LOCATION:

CUSTOMER:

PROJECT MANAGER:

DATE:

CHECKED BY:

SCALE:

W.O. #:

SHEET:

2 / 2

DWG #:

TOLERANCE:

UNLESS OTHERWISE SPECIFIED DIMENSIONS ARE IN INCHES

TOLERANCE UNLESS NOTED:

XX ± 0.03

XXX ± 0.015

XXXX ± 0.010

MAX. HOLE ENLARGEMENT: 125% OF PUBLISHED TOLERANCES

DRAWN BY:

REVISION #:

PO BOX 382 MONROVIA, IN 46157
 PHONE: 765-528-2251
 FAX: 765-528-2251

JAG METAL SOLUTIONS, INC.

We reserve the right to make improvements without notice. This data should not be assumed to be a contract. All drawings are subject to change without notice. This drawing is for informational purposes only. It is not intended to be used for construction. Metal Solutions Inc. reproduction of all or any of this drawing as printed, stored, or otherwise used without the written consent of Metal Solutions Inc. is forbidden.

