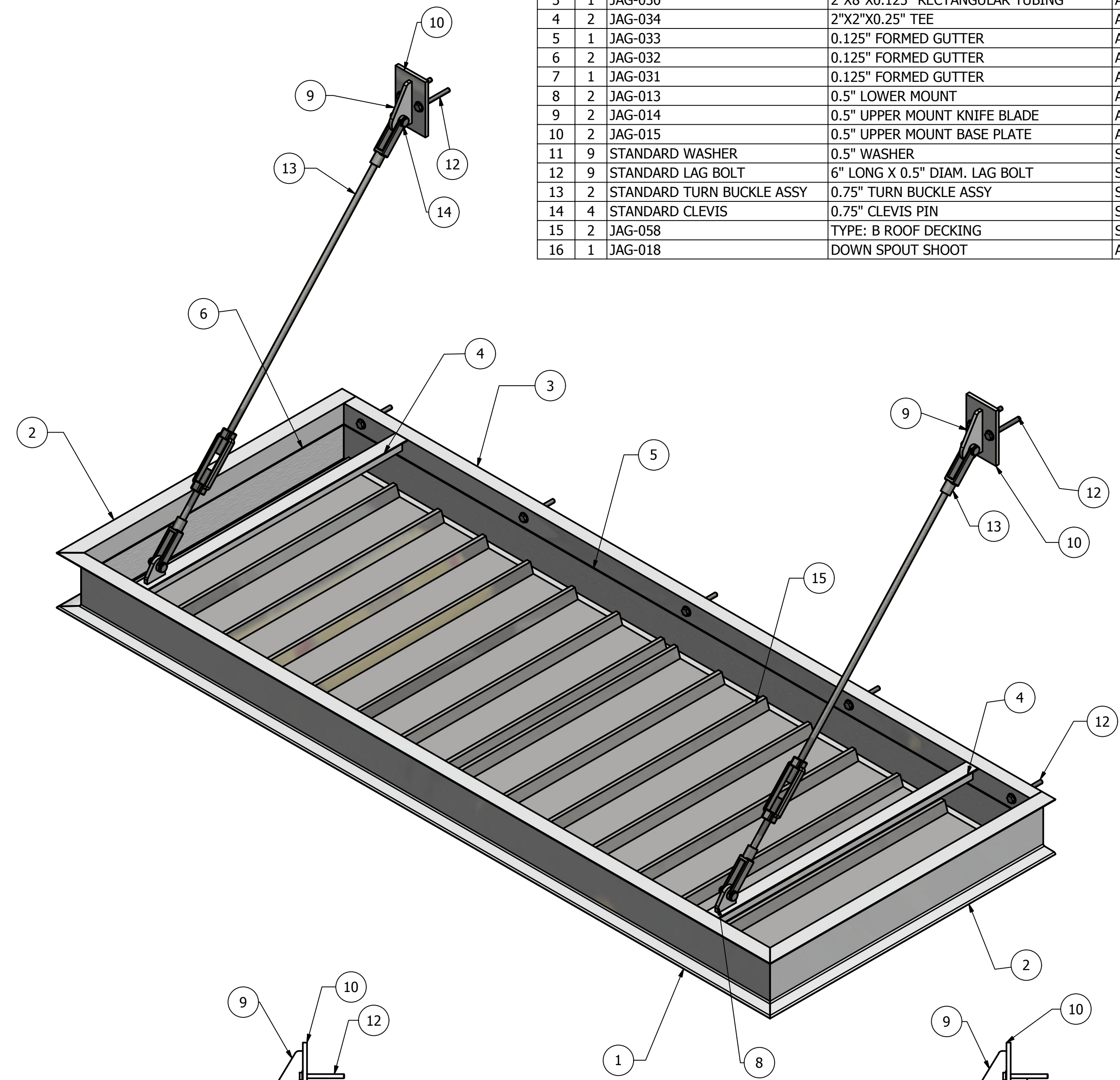
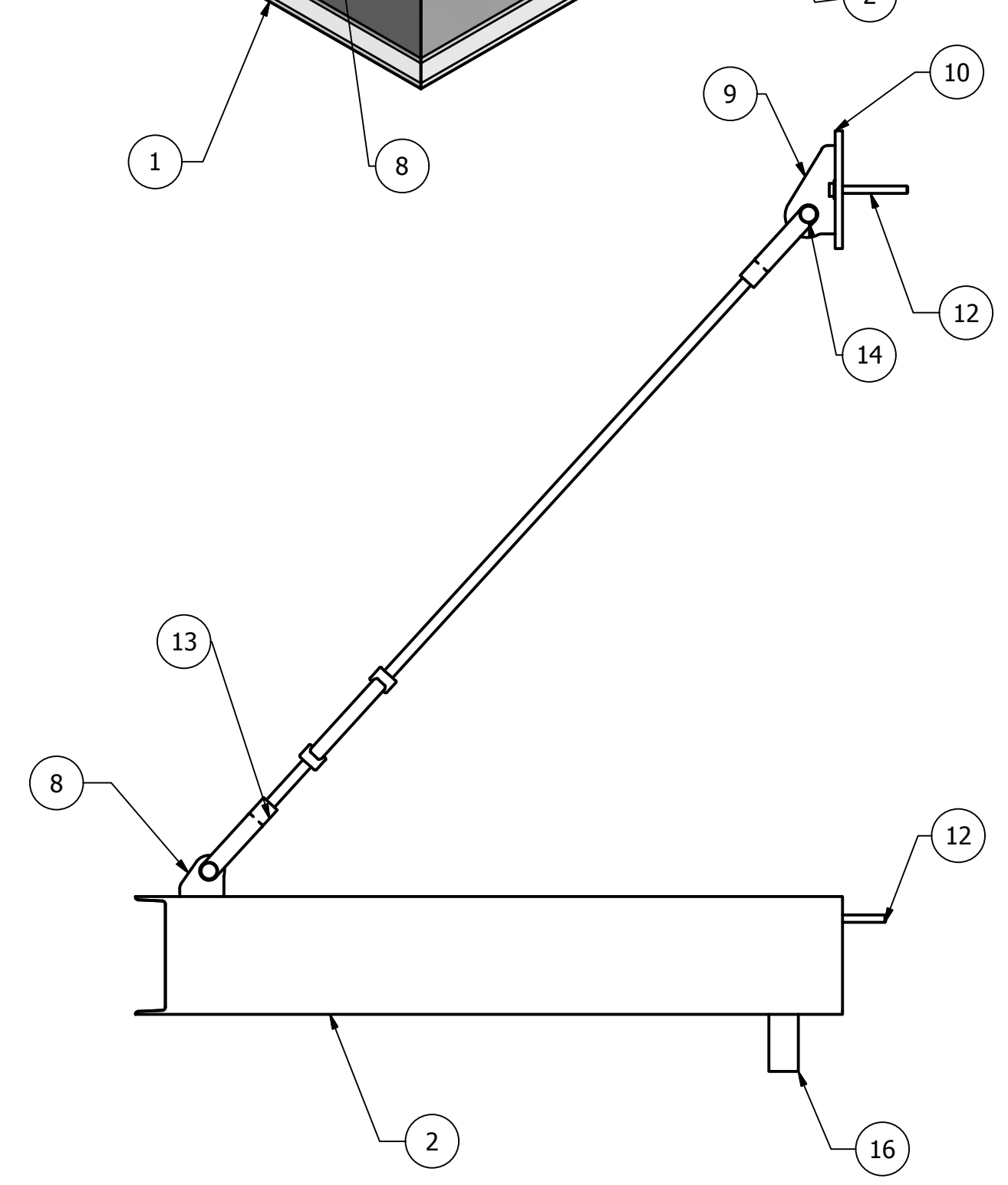
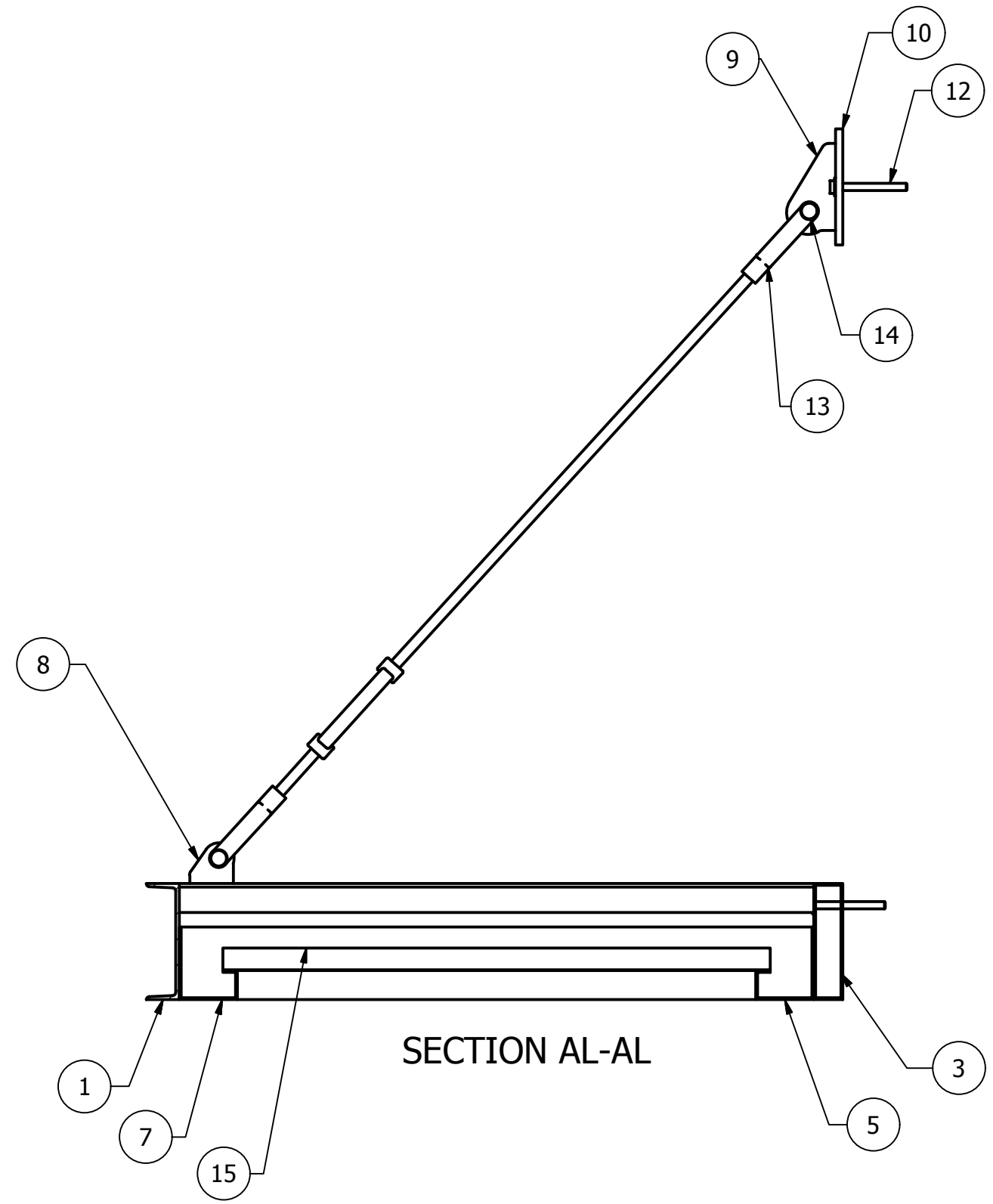
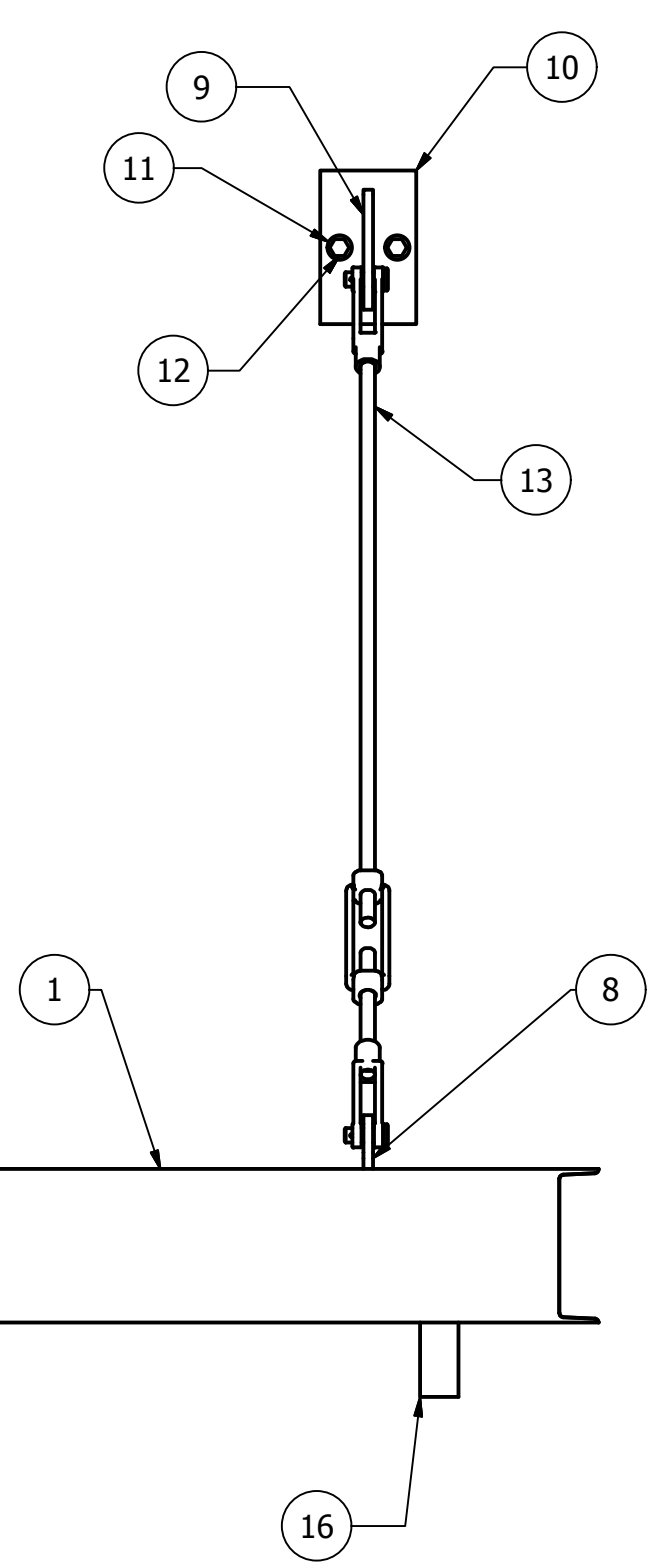
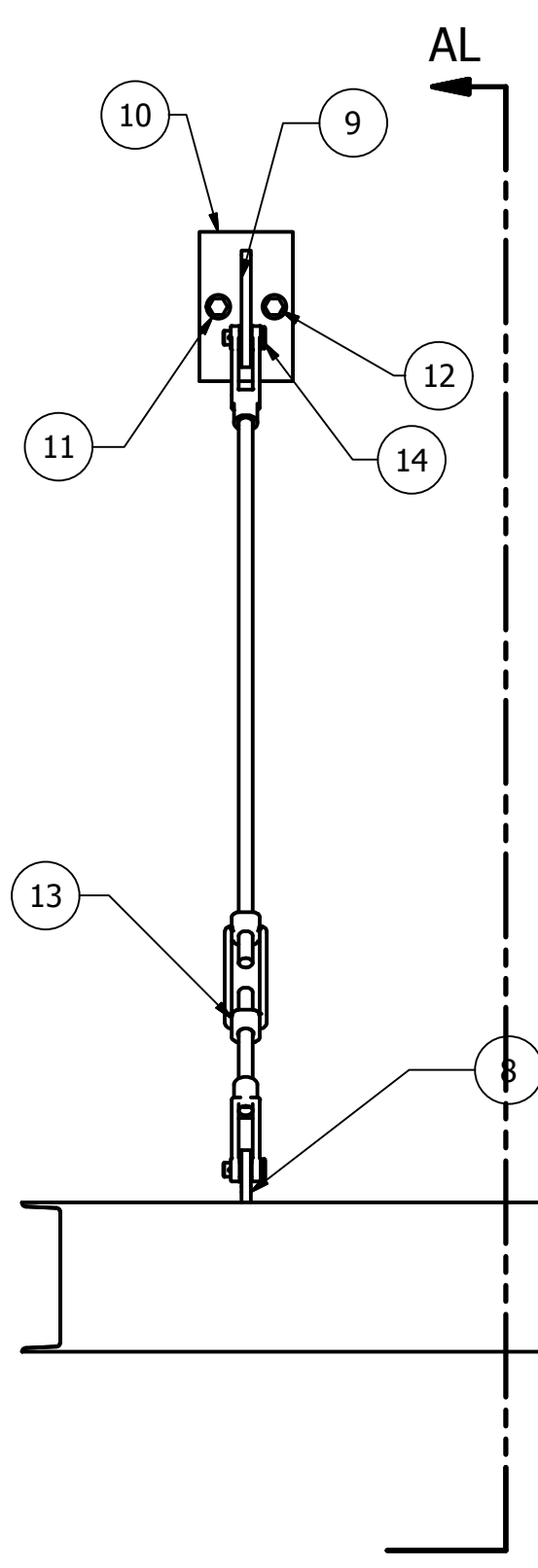
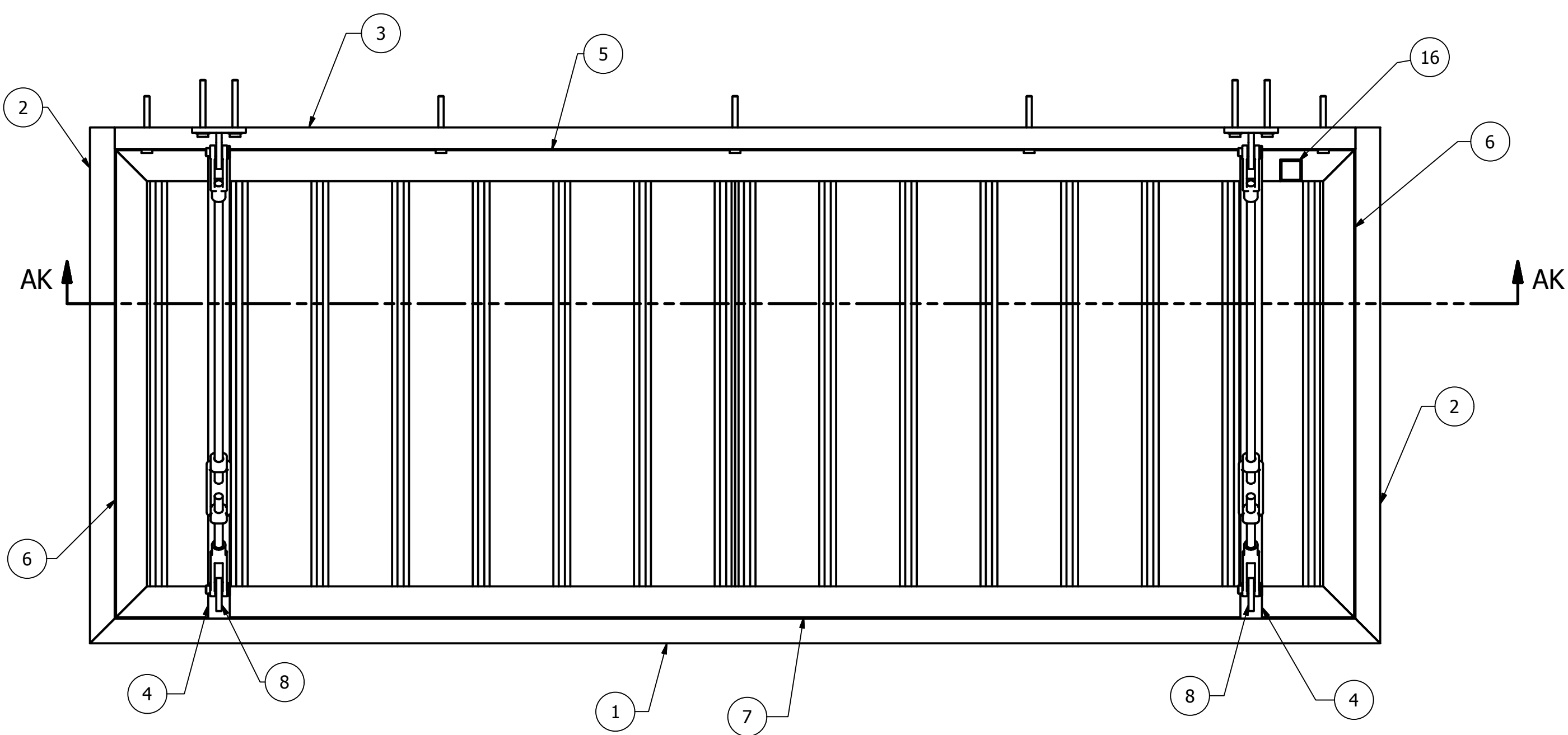
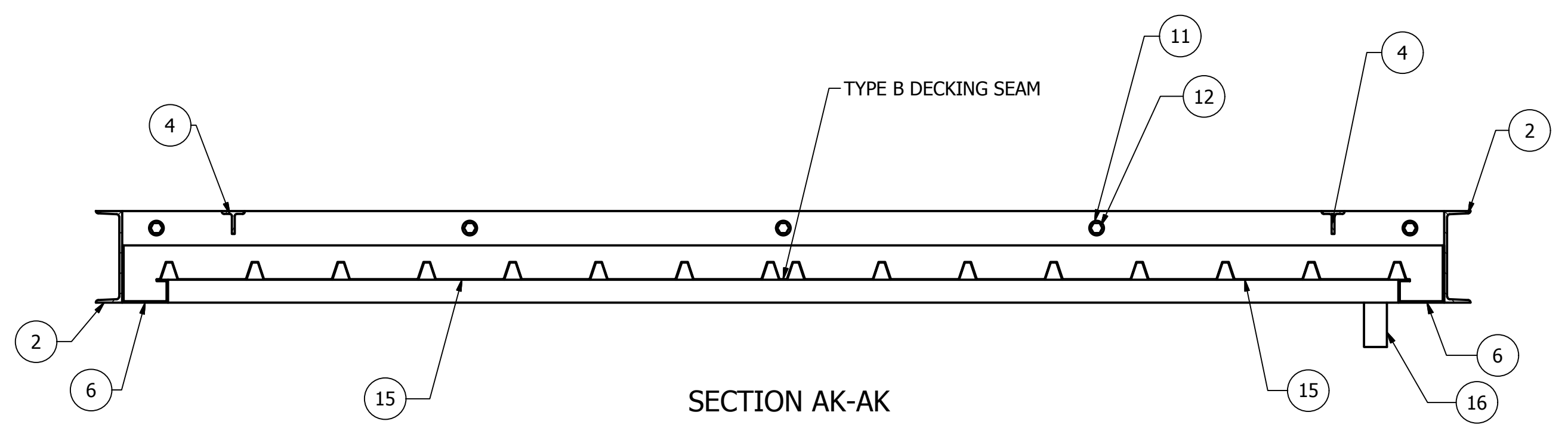


ITEM		QTY	PART NUMBER	DESCRIPTION	MATERIAL
1	1	JAG-028	8"X2.29" AMERICAN STANDARD CHANNEL	Aluminum 6061	
2	2	JAG-029	8"X2.29" AMERICAN STANDARD CHANNEL	Aluminum 6061	
3	1	JAG-030	2"X8"X0.125" RECTANGULAR TUBING	Aluminum 6061	
4	2	JAG-034	2"X2"X0.25" TEE	Aluminum 6061	
5	1	JAG-033	0.125" FORMED GUTTER	Aluminum 5052	
6	2	JAG-032	0.125" FORMED GUTTER	Aluminum 5052	
7	1	JAG-031	0.125" FORMED GUTTER	Aluminum 5052	
8	2	JAG-013	0.5" LOWER MOUNT	Aluminum 6061	
9	2	JAG-014	0.5" UPPER MOUNT KNIFE BLADE	Aluminum 6061	
10	2	JAG-015	0.5" UPPER MOUNT BASE PLATE	Aluminum 6061	
11	9	STANDARD WASHER	0.5" WASHER	Steel, Galvanized	
12	9	STANDARD LAG BOLT	6" LONG X 0.5" DIAM. LAG BOLT	Steel, Galvanized	
13	2	STANDARD TURN BUCKLE ASSY	0.75" TURN BUCKLE ASSY	Steel, Galvanized	
14	4	STANDARD CLEVIS	0.75" CLEVIS PIN	Stainless Steel	
15	2	JAG-058	TYPE: B ROOF DECKING	Steel, Galvanized	
16	1	JAG-018	DOWN SPOUT SHOOT	Aluminum 6061	



SHOP NOTES:

INDUSTRA-DECK

PROJECT SITE: JAG METAL SOLUTIONS

LOCATION: 234 WEST WARRICK ST. KNIGHTSTOWN, IN

CUSTOMER: JAG METAL SOLUTIONS

PROJECT MANAGER:

DATE: 12/3/2015

CHECKED BY: W.O. N/A

SCALE: DWG #: JAG-009

TOLERANCE:

UNLESS OTHERWISE SPECIFIED DIMENSIONS ARE IN INCHES

TOLERANCE UNLESS NOTED:  
 X.X ± 0.03  
 X.XX ± 0.015  
 X.XXX ± 0.010  
 MAX HOLE DRILLING TYPICAL TOLERANCES

DRAWN BY: WESLEY GRIM

REVISION #:

234 WEST WARRICK STREET  
 KNIGHTSTOWN, IN  
 46148

PHONE: 765-445-4459  
 FAX: 765-445-4456  
 PHONE EXT: 125

JAG METAL SOLUTIONS, INC.  
 We reserve the right to make improvements without notice. This data should not be assumed current, unless verified by JAG Engineering concept, illustrative and written information. JAG Metal Solutions Inc. reproduction of all or any of this drawing or parts thereof, or any other drawing or parts thereof, without the written consent of JAG Metal Solutions, Inc. is prohibited.

